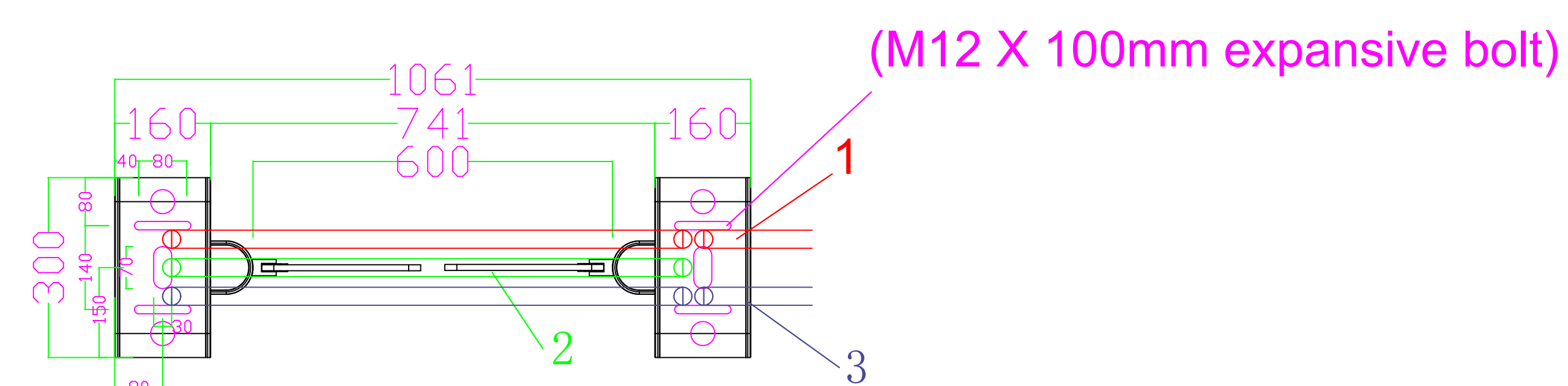
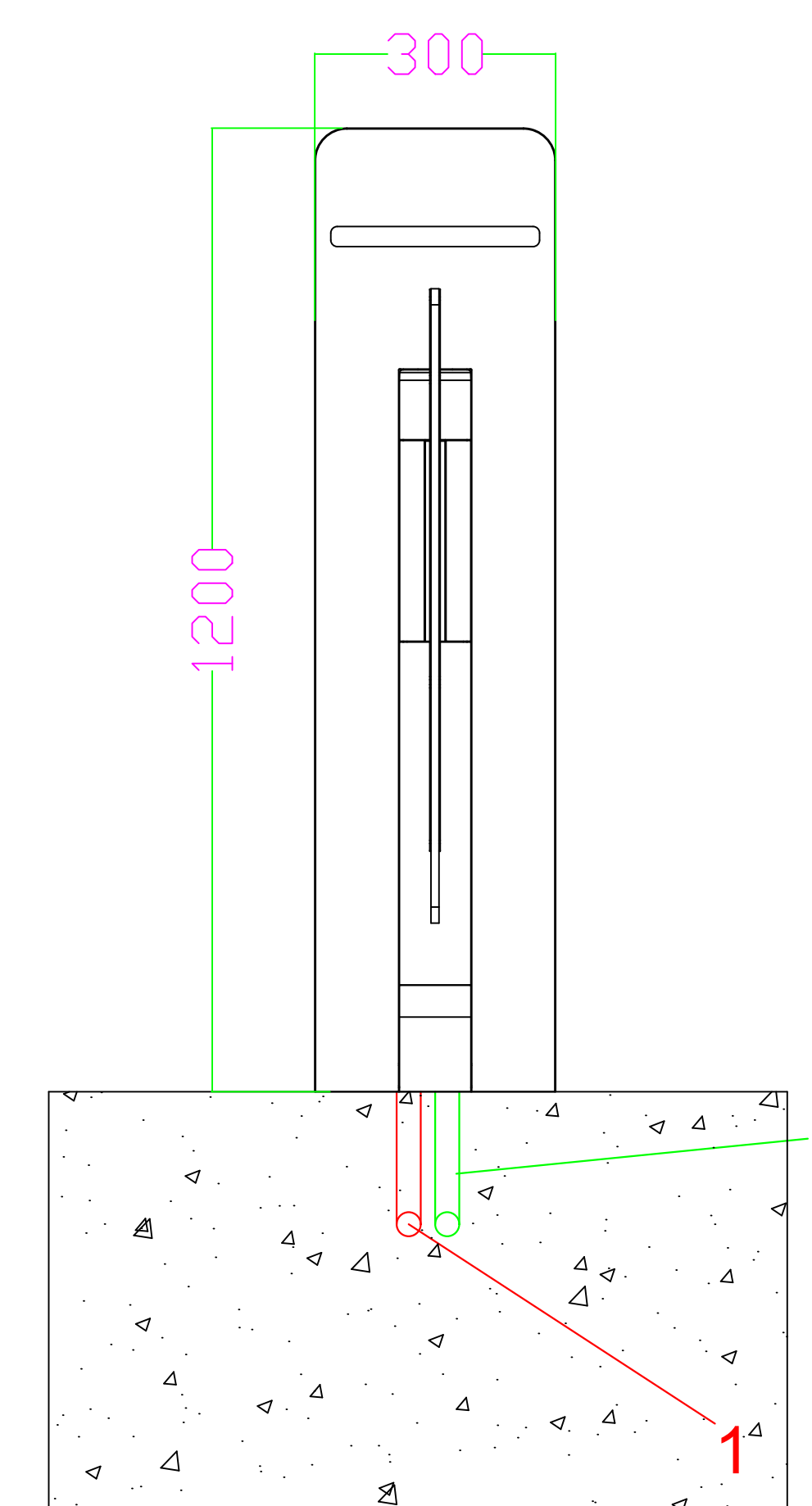
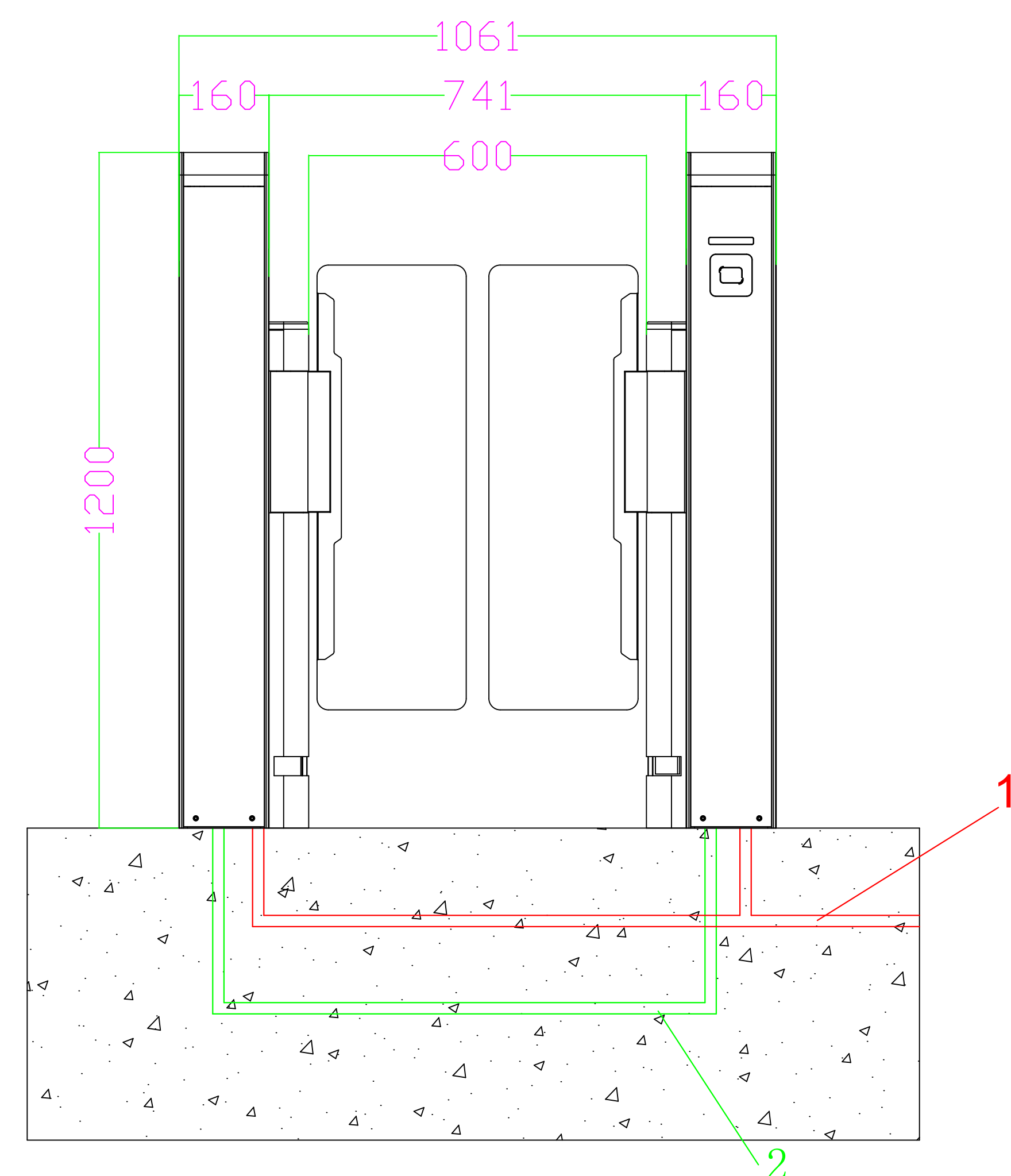


Unit : mm



Installation Manual:

- 1 || The $\text{Ø}20\text{mm}$ PVC tube for AC 220V Power wires (3 X $\text{Ø}2.0\text{mm}$).
- 2 || The tube for connecting vice-machine to master machine in the same lane (CAT5 network cables*2PCS, 2 * 1.0mm Power wires*1PCS) .
- 3 || TCP/IP ethernet cable for connecting access device to PC.
- 4 □ 1.Master servo motor driver,2.Vice- servo motor driver.
- 5 = Fixing the equipment with M12 X 100mm expansive bolt .

Mark:All wires extending out of the ground shall be no less than 2M.

零件代号
图(表)号
图号
图名
图例
图号
图名
图例